

# PRODUCT INFORMATION PACKET

**marathon**<sup>®</sup>  
Motors

Model No: 184TBDW7630  
Catalog No: I130A  
3,1800,DP,184T,1,60,208-230  
Pressure Washers



Regal and Marathon are trademarks of Regal Beloit Corporation or one of its affiliated companies.  
©2018 Regal Beloit Corporation, All Rights Reserved. MC017097E

**REGAL**<sup>®</sup>



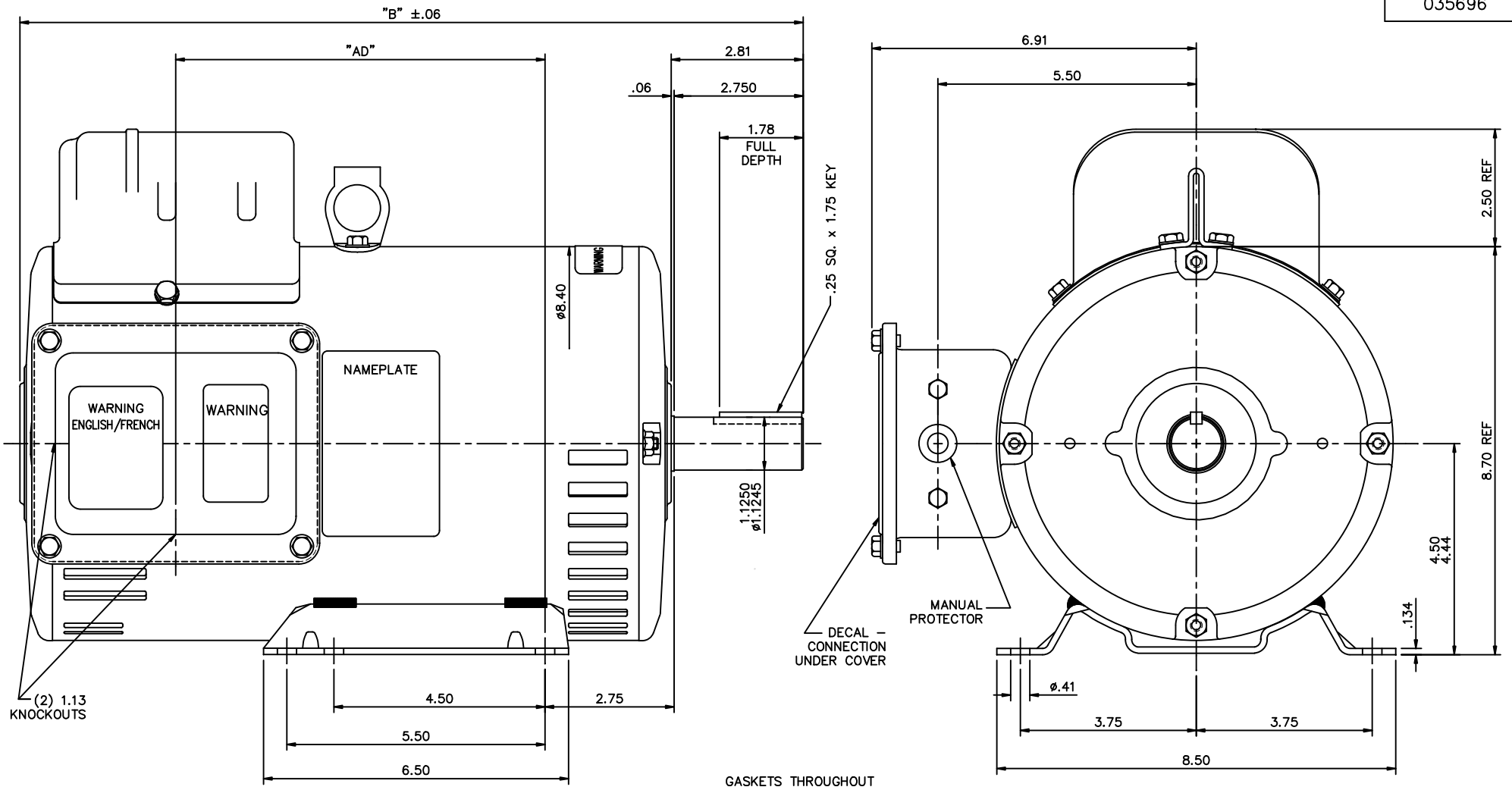
### Nameplate Specifications

Output HP	<b>3 Hp</b>	Output KW	<b>2.2 kW</b>
Frequency	<b>60 Hz</b>	Voltage	<b>208-230 V</b>
Current	<b>13.8-12.8 A</b>	Speed	<b>1760 rpm</b>
Service Factor	<b>1.15</b>	Phase	<b>1</b>
Efficiency	<b>81.5 %</b>	Duty	<b>Continuous</b>
Insulation Class	<b>F</b>	Design Code	<b>NO DESIGN CODE</b>
KVA Code	<b>G</b>	Frame	<b>184T</b>
Enclosure	<b>Drip Proof</b>	Overload Protector	<b>Manual</b>
Ambient Temperature	<b>40 °C</b>	Drive End Bearing Size	<b>6206</b>
Opp Drive End Bearing Size	<b>6205</b>	UL	<b>Recognized ( Not Protector)</b>
CSA	<b>Y</b>	CE	<b>Y</b>
IP Code	<b>22</b>		

### Technical Specifications

Electrical Type	<b>Capacitor Start Capacitor Run</b>	Starting Method	<b>Across The Line</b>
Poles	<b>4</b>	Rotation	<b>Selective Counterclockwise</b>
Mounting	<b>Rigid base</b>	Motor Orientation	<b>Horizontal</b>
Drive End Bearing	<b>Ball</b>	Opp Drive End Bearing	<b>Ball</b>
Frame Material	<b>Rolled Steel</b>	Shaft Type	<b>T</b>
Overall Length	<b>14.19 in</b>	Frame Length	<b>10.00 in</b>
Shaft Diameter	<b>1.125 in</b>	Shaft Extension	<b>2.81 in</b>
Assembly/Box Mounting	<b>F1 Only</b>		
Outline Drawing	<b>035696-1000</b>	Connection Diagram	<b>005056.03ME</b>

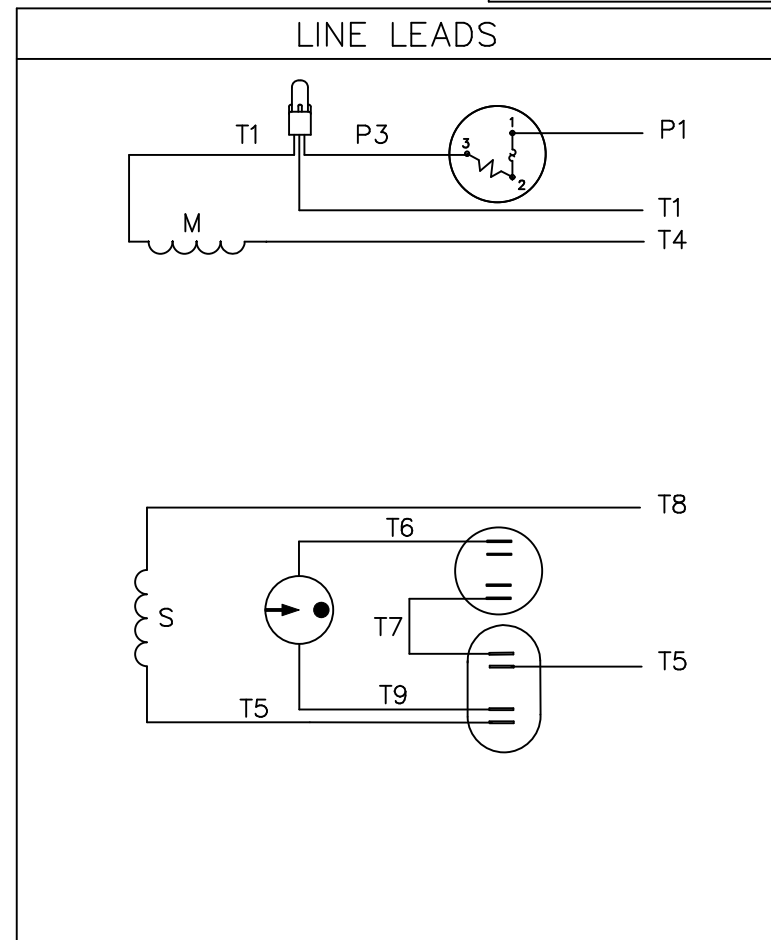
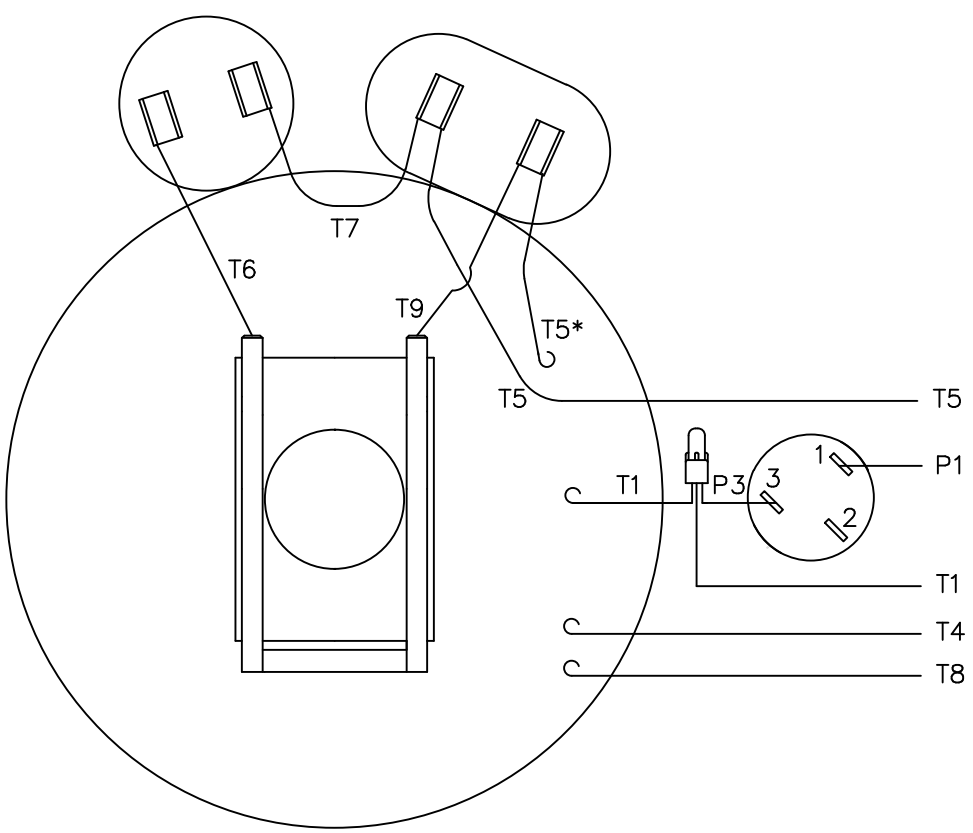
This is an uncontrolled document once printed or downloaded and is subject to change without notice. Date Created: 06/29/2018



DASH NO.	"C"	"AD"
1000	14.19	5.37
1050	14.69	5.87
1100	15.19	6.37
1150	15.69	6.87
1200	16.19	7.37
1250	16.69	7.87

NO.		REVISION	BY & DATE	CHK	ANG	±1/2'	FINISH	CAD FILE	035696	SIZE	DRAWING NO.	REV.
<p>THIS DRAWING IN DESIGN AND DETAIL IS OUR PROPERTY AND MUST NOT BE USED EXCEPT IN CONNECTION WITH OUR WORK ALL RIGHTS OF DESIGN AND INVENTION ARE RESERVED THIS IS AN ELECTRONICALLY GENERATED DOCUMENT - DO NOT SCALE THIS PRINT</p>												
<p>TOLERANCES UNLESS SPECIFIED</p>							<p>DEC. INCHES</p>		<p>MARATHON ELECTRIC</p>			<p>DRAWN VV 08/09/07</p>
<p>.X ±.1</p>							<p>.XX ±.03</p>		<p>TITLE</p>			<p>CHK</p>
<p>.XXX ±.005</p>							<p>.XXXX ±.0005</p>		<p>OUTLINE</p>			<p>APPD</p>
<p>MAT'L</p>							<p>SCALE 1=2</p>		<p>DRIP PROOF - RIGID MOUNT</p>			<p>REF 035562</p>
<p>REV. 1</p>							<p>PREV</p>		<p>FMF 184TBDW7630</p>			<p>REV.</p>
<p>FINISH</p>							<p>035696</p>		<p>B</p>			<p>035696</p>

VIEW FROM OUTSIDE OF MOTOR AT SWITCH END.



ROTATION FACING LEAD END	L1	L2	JOIN
C.C.W.	P1	T4, T5	T1, T8
C.W.	P1	T4, T8	T1, T5

\* THIS LEAD MAY BE WHITE

		TOLERANCES UNLESS SPECIFIED		REGAL-BELOIT <i>Motor Technologies</i> TITLE EXTERNAL WIRING DIAGRAM TYPE "K" W/ PROTECTOR MAT'L. DECAL - 004015 FINISH		DRAWN LST 9/9/03		
		DEC.	INCHES			CHK KH 9/9/03		
		.X	±.1			APPD		
		.XX	±.01			SCALE 1=1		
		.XXX	±.005			REF		
		.XXXX	±.0005	MAT'L. DECAL - 004015		FMF 139045		
NO.	REVISION	BY & DATE	CHK	ANG	±1/2'	PREV		
THIS DRAWING IN DESIGN AND DETAIL IS OUR PROPERTY AND MUST NOT BE USED EXCEPT IN CONNECTION WITH OUR WORK ALL RIGHTS OF DESIGN AND INVENTION ARE RESERVED THIS IS AN ELECTRONICALLY GENERATED DOCUMENT - DO NOT SCALE THIS PRINT			RFP	CAD FILE 00505603ME		SIZE A	DRAWING NO. 005056-03ME	REV.
			DIST	BRF-NLV				

